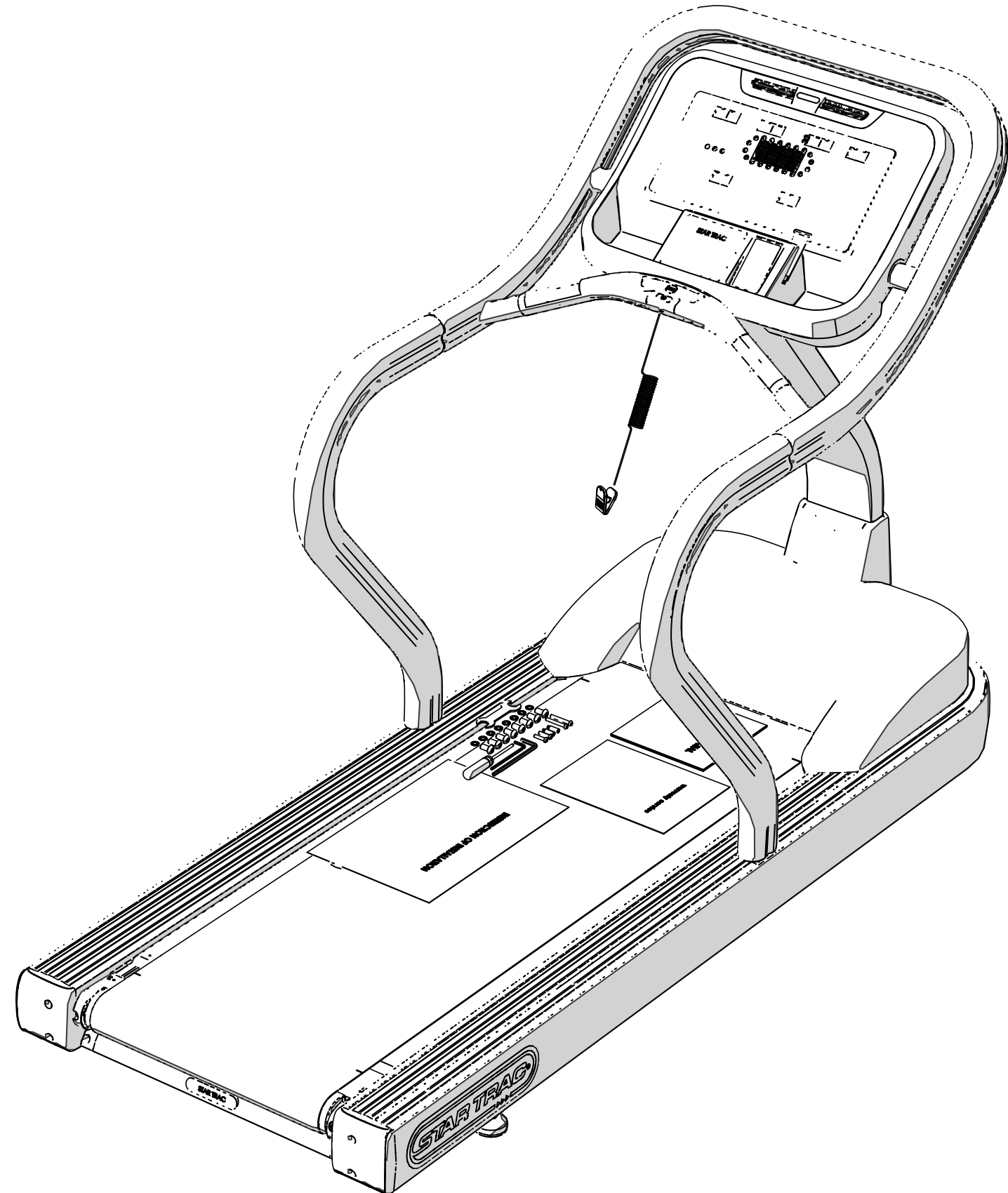
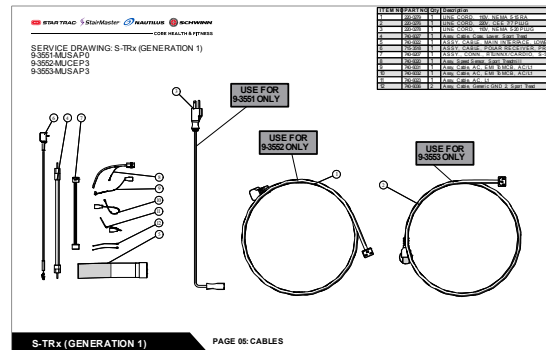
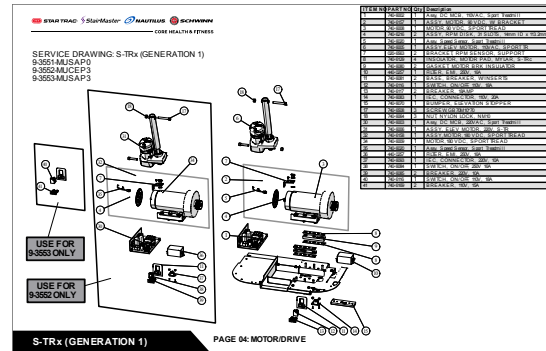
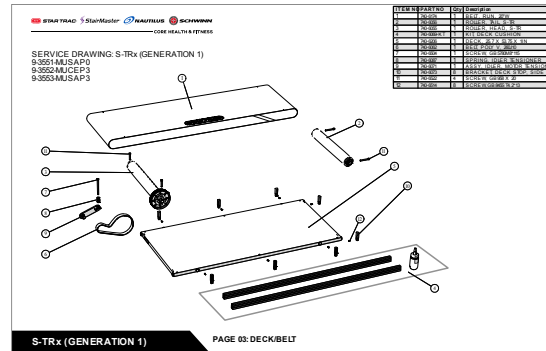
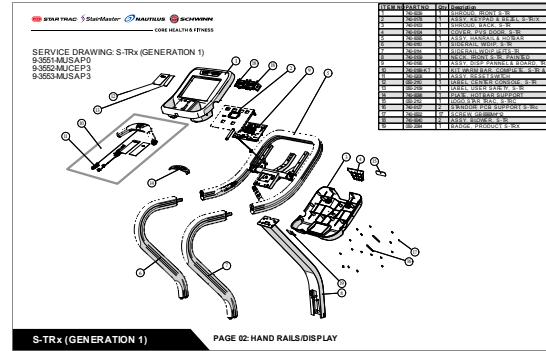
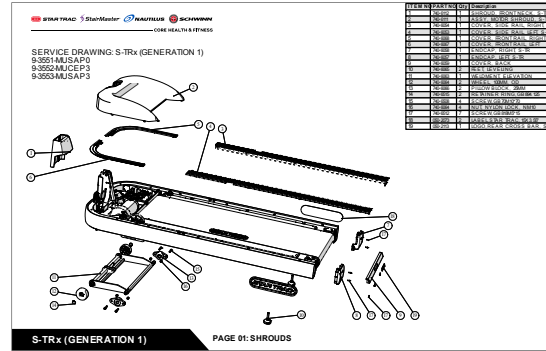


SERVICE DRAWING: S-TRx (GENERATION 1)

9-3551-MUSAP0

9-3552-MUCEP3

9-3553-MUSAP3

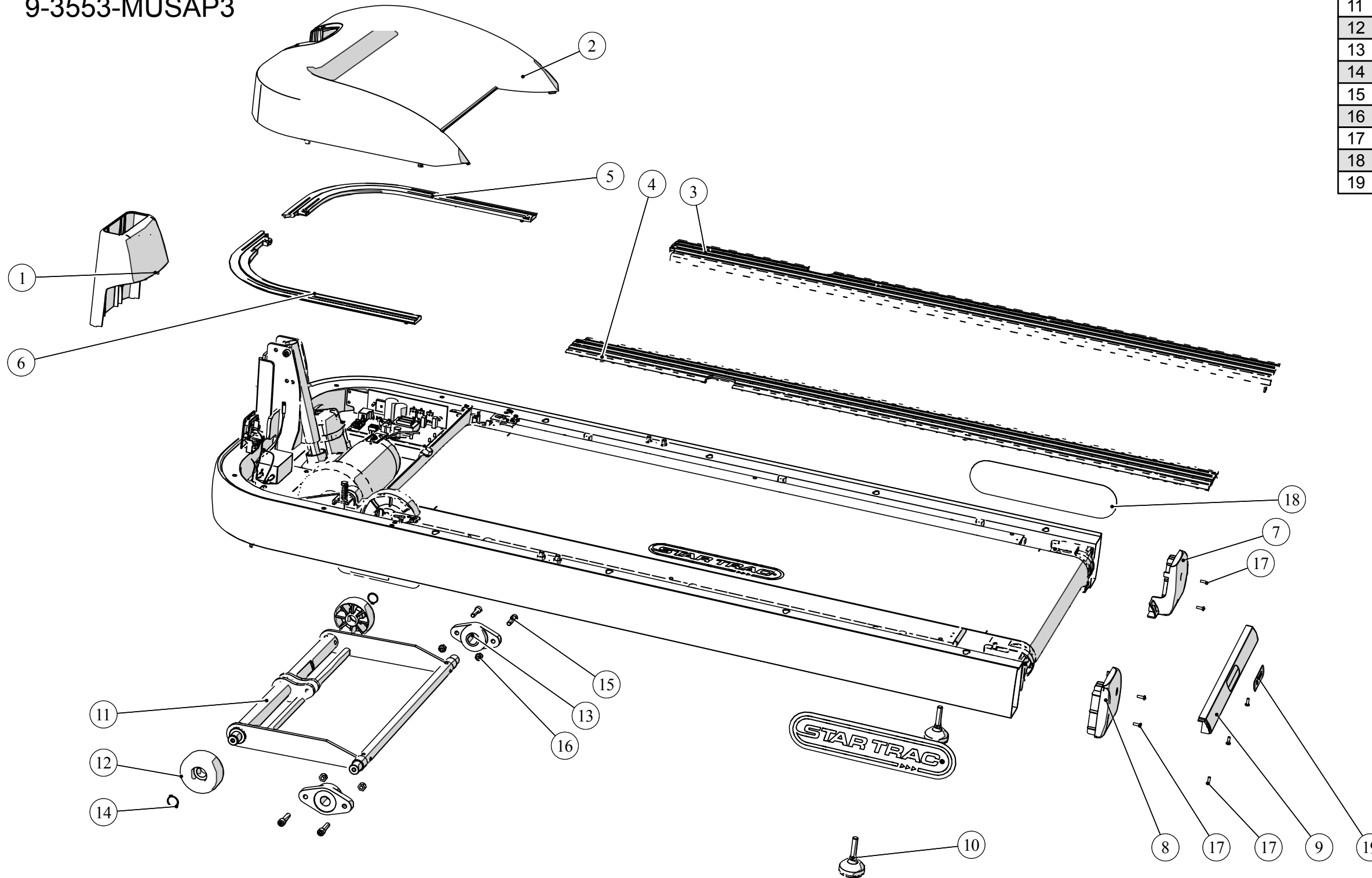


SERVICE DRAWING: S-TRx (GENERATION 1)

9-3551-MUSAP0

9-3552-MUCEP3

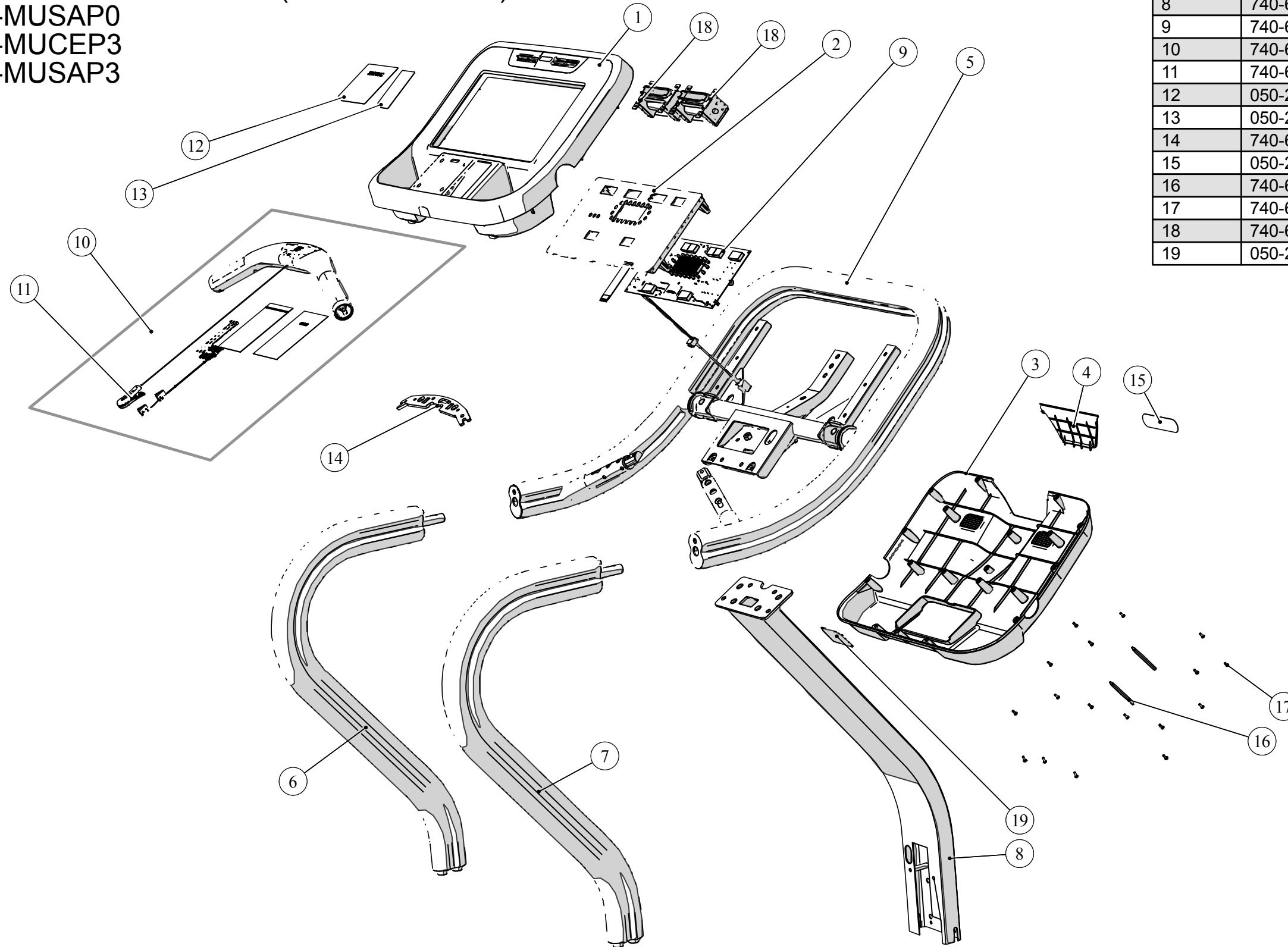
9-3553-MUSAP3



ITEM NO	PART NO	Qty	Description
1	740-6112	1	SHROUD, FRONT NECK, S-TR
2	740-6111	1	ASSY, MOTOR SHROUD, S-TR
3	740-6054	1	COVER, SIDE RAIL, RIGHT, S-TR
4	740-6053	1	COVER, SIDE RAIL, LEFT, S-TR
5	740-6068	1	COVER, FRONT RAIL, RIGHT
6	740-6067	1	COVER, FRONT RAIL, LEFT
7	740-6058	1	ENDCAP, RIGHT, S-TR
8	740-6057	1	ENDCAP, LEFT, S-TR
9	740-6059	1	COVER, BACK
10	740-6065	2	FEET, LEVELING
11	740-6063	1	WELDMENT, ELEVATION
12	740-6064	2	WHEEL, 100MM, OD
13	740-6066	2	PILLOW BLOCK, 25MM
14	740-6515	2	RETAINER RING,GB894.125
15	740-6508	4	SCREW,GB70M10*70
16	740-6064	4	NUT, NYLON LOCK, NM10
17	740-6512	7	SCREW,GB818M5*15
18	050-2073	2	LABEL,STAR TRAC,15X3.55"
19	050-2113	1	LOGO,REAR CROSS BAR, S-TR

SERVICE DRAWING: S-TRx (GENERATION 1)

9-3551-MUSAP0
 9-3552-MUCEP3
 9-3553-MUSAP3

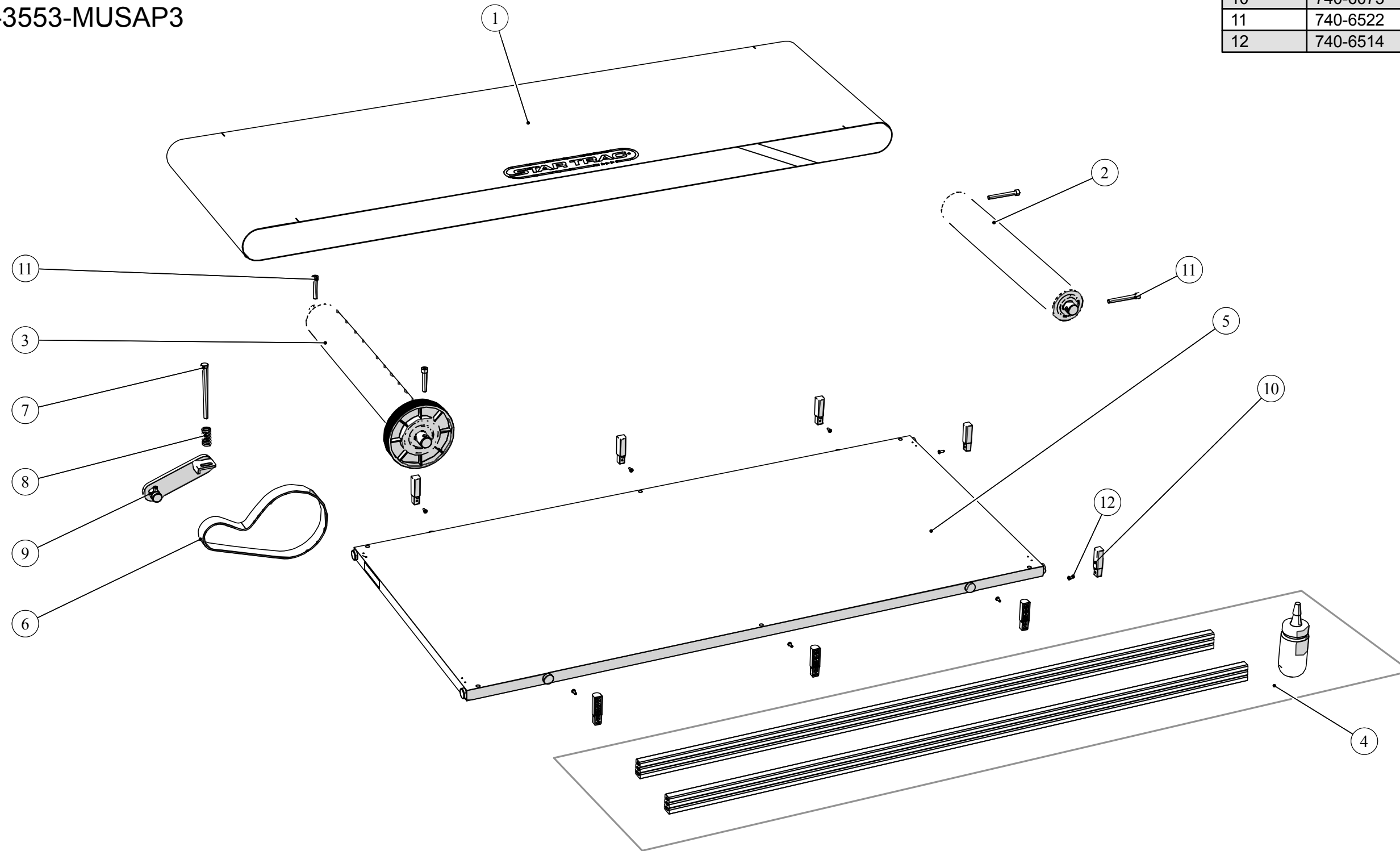


ITEM NO	PART NO	Qty	Description
1	740-6039	1	SHROUD, FRONT, S-TR
2	740-6178	1	ASSY, KEYPAD & BEZEL, S-TR/X
3	740-6103	1	SHROUD, BACK, S-TR
4	740-6104	1	COVER, PVS DOOR, S-TR
5	740-6095	1	ASSY. HANRAIL & HOTBAR
6	740-6110	1	SIDERAIL, W/DIP, S-TR
7	740-6114	1	SIDERAIL,W/DIP,LEFT,S-TR
8	740-6109	1	NECK, FRONT, S-TR, PAINTED
9	740-6195	1	ASSY, DISP PANNEL & BOARD, TRX
10	740-6186-KT	1	KIT, WARM BAR, COMPLETE, S-TR & E-TR
11	740-6208	1	ASSY, RESET SWITCH
12	050-2110	1	LABEL, CENTER CONSOLE, S-TR
13	050-2109	1	LABEL, USER SAFETY, S-TR
14	740-6098	1	PLATE, HOT BAR SUPPORT
15	050-2112	1	LOGO,STAR TRAC, S-TRC
16	740-6127	2	STANDOFF, PCB SUPPORT, S-TRc
17	740-6502	17	SCREW, GB6560M4*12
18	740-6040	2	ASSY. BLOWER, S-TR
19	050-2084	1	BADGE, PRODUCT, S-TRX

SERVICE DRAWING: S-TRx (GENERATION 1)

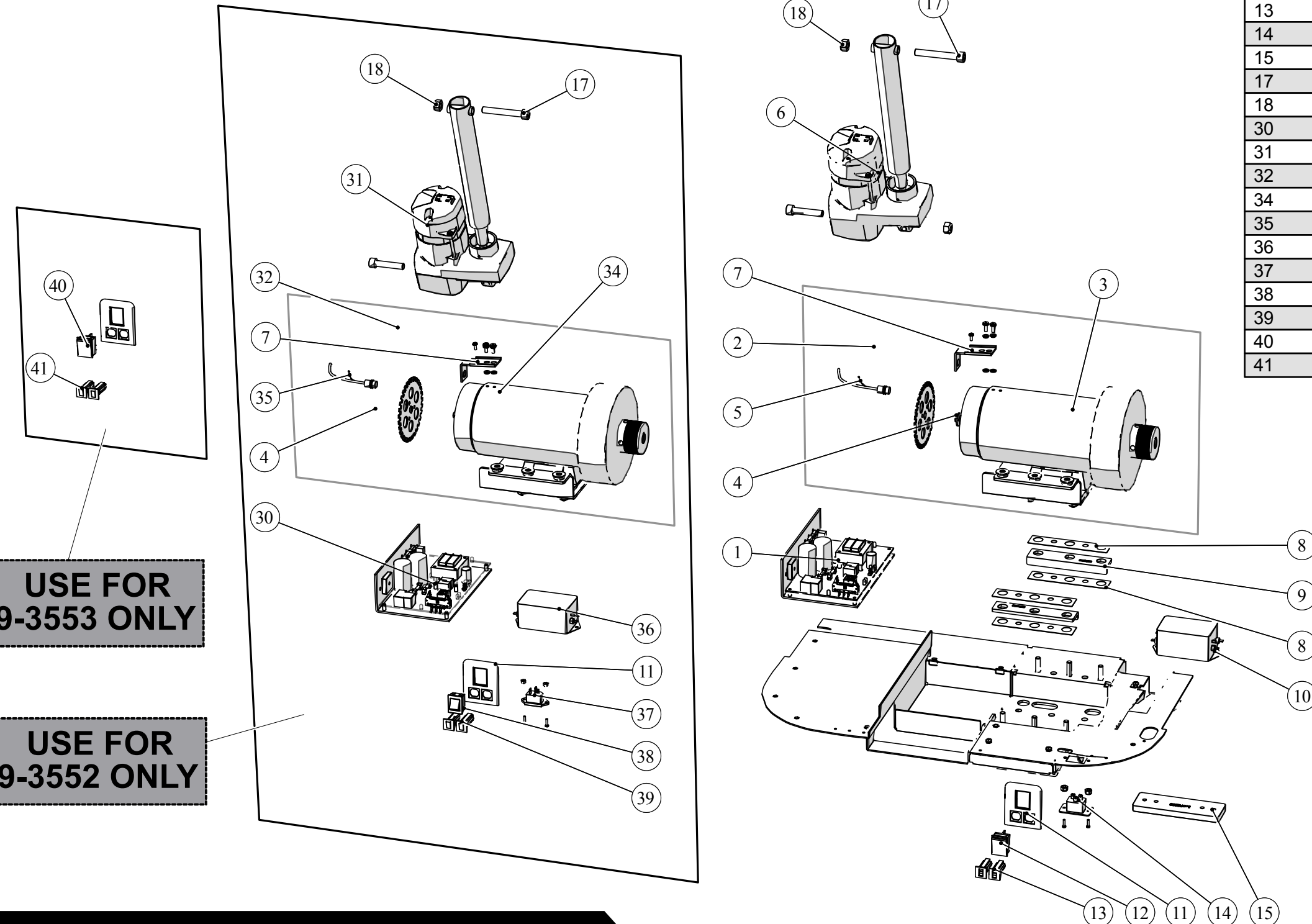
9-3551-MUSAP0
 9-3552-MUCEP3
 9-3553-MUSAP3

ITEM NO	PART NO	Qty	Description
1	740-6174	1	BELT, RUN, 20"W
2	740-6056	1	ROLLER, TAIL, S-TR
3	740-6055	1	ROLLER, HEAD, S-TR
4	740-6069-KT	1	KIT, DECK CUSHION
5	740-6206	1	DECK, 25.7 X 53.75 X 1IN
6	740-6062	1	BELT, POLY V, 260J10
7	740-6504	1	SCREW, GB5780M8*115
8	740-6087	1	SPRING, IDLER TENSIONER
9	740-6071	1	ASSY, IDLER, MOTOR TENSIONER
10	740-6073	8	BRACKET, DECK STOP, SIDE
11	740-6522	4	SCREW, GB958 X 20
12	740-6514	8	SCREW,GB845ST4.2*13



SERVICE DRAWING: S-TRx (GENERATION 1)

9-3551-MUSAP0
 9-3552-MUCEP3
 9-3553-MUSAP3



ITEM NO	PART NO	Qty	Description
1	740-6002	1	Assy, DC MCB, 110VAC, Sport Treadmill
2	740-6157	1	ASSY, MOTOR, 90 VDC, W/ BRACKET
3	740-6008	1	MOTOR,90 VDC, SPORT TREAD
4	740-6216	2	ASSY, RPM DISK, 31 SLOTS, 14mm ID x 113.2mm OD
5	740-6020	1	Assy, Speed Sensor, Sport Treadmill
6	740-6005	1	ASSY,ELEV MOTOR, 110VAC, SPORT TR
7	020-6563	2	BRACKET, RPM SENSOR, SUPPORT
8	740-6129	4	INSOLATOR, MOTOR PAD, MYLAR, S-TRc
9	740-6080	2	GASKET, MOTOR BRK INSULATOR
10	440-0257	1	FILTER, EMI, 250V, 16A
11	740-6081	2	BASE, BREAKER, W/INSERTS
12	740-6116	1	SWITCH, ON/OFF, 110V, 18A
13	740-6117	2	BREAKER, 18AMP
14	740-6083	1	IEC, CONNECTOR, 110V, 20A
15	740-6070	1	BUMPER, ELEVATION STOPPER
17	740-6508	3	SCREW,GB70M10*70
18	740-6064	3	NUT, NYLON LOCK, NM10
30	740-6003	1	Assy, DC MCB, 220VAC, Sport Treadmill
31	740-6006	1	ASSY, ELEV MOTOR, 220V, S-TR
32	740-6158	1	ASSY,MOTOR,180 VDC, SPORT TREAD
34	740-6009	1	MOTOR,180 VDC, SPORT TREAD
35	740-6020	1	Assy, Speed Sensor, Sport Treadmill
36	440-0257	1	FILTER, EMI, 250V, 16A
37	740-6093	1	IEC, CONNECTOR, 220V, 10A
38	740-6084	1	SWITCH, ON/OFF, 250V 16A
39	740-6085	2	BREAKER, 220V, 10A
40	740-6116	1	SWITCH, ON/OFF, 110V, 18A
41	740-6169	2	BREAKER, 110V, 15A

SERVICE DRAWING: S-TRx (GENERATION 1)

9-3551-MUSAP0

9-3552-MUCEP3

9-3553-MUSAP3

ITEM NO	PART NO	Qty	Description
1	220-0279	1	LINE CORD, 110V, NEMA 5-15 RA
2	220-0276	1	LINE CORD, 220V, CEE 7/7 PLUG
3	220-0278	1	LINE CORD, 110V, NEMA 5-20 PLUG
4	740-6027	1	Assy, Cable, Coax, Lower, Sport Tread
5	740-6022	1	ASSY, CABLE, MAIN INTERFACE, LOWER
6	715-3518	1	ASSY, CABLE, POLAR RECEIVER, PRO/S TR
7	740-6207	1	ASSY., CONN., FITLINX/CARDIO, S-SERIES
8	740-6020	1	Assy, Speed Sensor, Sport Treadmill
9	740-6031	1	Assy, Cable, AC, EMI To MCB, AC/L1
10	740-6032	1	Assy, Cable, AC, EMI To MCB, AC/L1
11	740-6023	1	Assy, Cable, AC, L1
12	740-6036	2	Assy, Cable, Generic GND 2, Sport Tread

**USE FOR
9-3551 ONLY**

**USE FOR
9-3552 ONLY**

**USE FOR
9-3553 ONLY**

